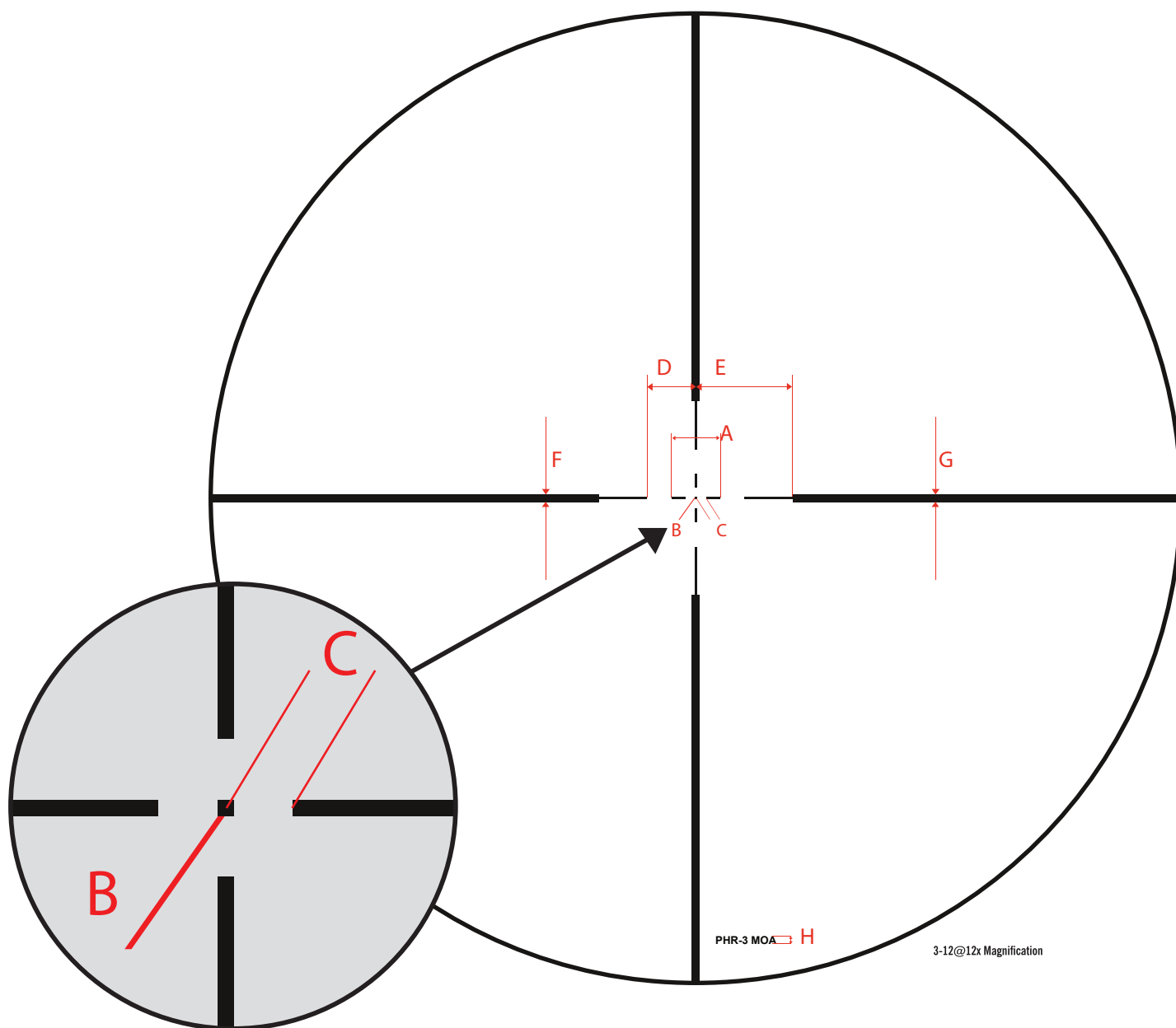


# PHR3 RETICLE

3-12@12x Magnification

	DIMENSIONS
A	5 MOA
B	0.25 MOA
C	1.1 MOA
D	5 MOA
E	10 MOA
F	0.18 MOA
G	0.8 MOA
H	0.8 MOA



# PHR3 RETICLE

3-9X40@9x Magnification

	DIMENSIONS
A	5 MOA
B	0.25 MOA
C	1.1 MOA
D	5 MOA
E	10 MOA
F	0.2 MOA
G	1.0 MOA
H	0.8 MOA

